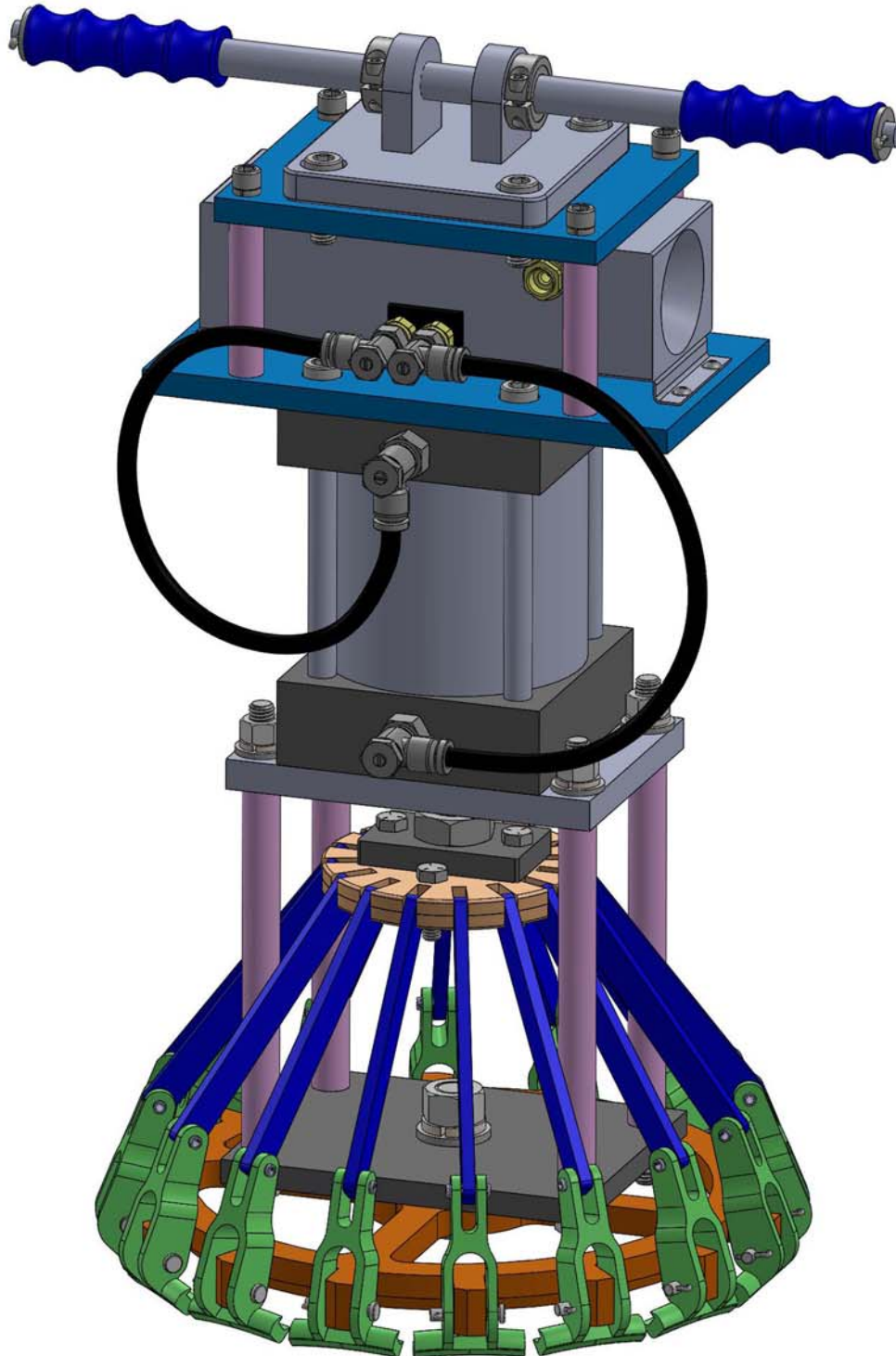




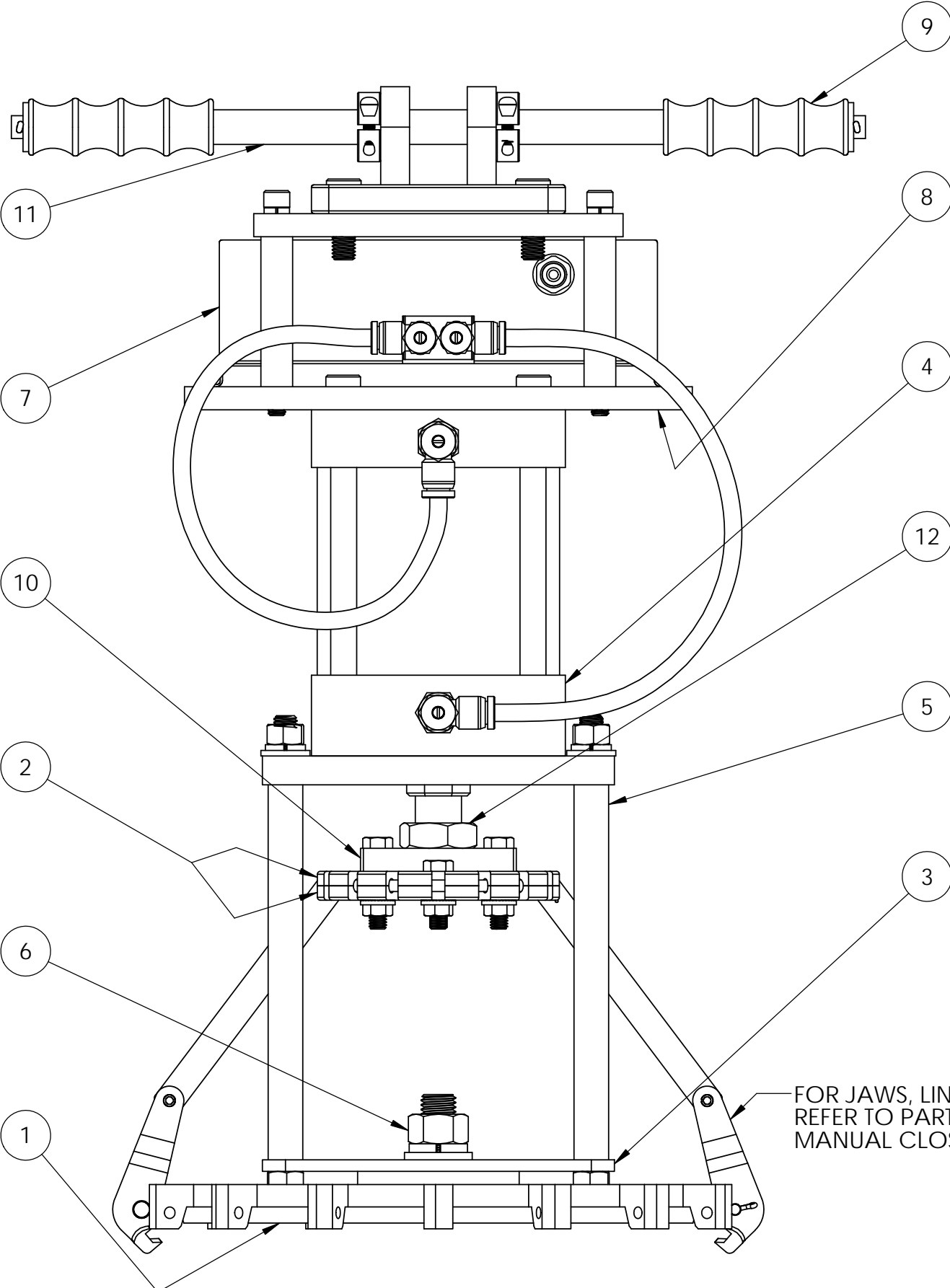
Semi Automatic Boom Style Closing Tool

GROTNES



SEMI-AUTO BOOM TYPE CLOSING TOOL

PARTS LIST



FOR JAWS, LINKS ETC.
REFER TO PARTS LIST FOR
MANUAL CLOSING TOOLS



PARTS LIST - SEMI-AUTO PLASTIC PAIL CLOSER

GROTNES

CHECK OUT OUR ONLINE SHOP FOR TOOLS & SPARE PARTS: SHOP.GROTNES.COM

| DETAIL | DESCRIPTION | GROTNES # | PRICE |
|--------|---|---------------|-------------|
| 1 | BASE (SEE NEXT PAGE FOR BASE ORDERING INFO) | ** | |
| 2-A | LOWER SPIDER - ALUMINUM | ** | \$ 310.00 |
| 2-B | LOWER SPIDERS - BRASS | ** | \$ 375.00 |
| 3 | BASE MOUNTING PLATE | CTDB041SF | \$ 140.00 |
| 4 | AIR CYLINDER - INCLUDES CLEVIS BRACKET | 900880 | \$ 1,345.00 |
| 5 | BASE PLATE SPACERS - CONTACT FOR INFO | ** | |
| 6 | BASE PLATE LOCKING NUT | NUT3_4C | \$ 9.00 |
| 7 | TWO HAND CONTROL | 901151 | \$ 1,135.00 |
| 8 | TWO HAND CONTROL MOUNTING PLATE | CTDB038S | \$ 65.00 |
| 9 | HAND GRIP | CTDB019WF | \$ 25.00 |
| 10 | SPIDER PLATE | CTDB039SF | \$ 90.00 |
| 11 | BOOM HANDLE SHAFT | CTDB040S9999F | \$ 125.00 |
| 12 | CYL. LOCKING NUT | NUT1D_CT | \$ 9.00 |

Use this page as a reference when needing to order a base or post for your closing tool.

- Posts are permanently fixed into the base at assembly using a process known as "peening".
- We STRONGLY urge that when ordering either a post or a base, that you order them together.
- We cannot guarantee proper function of your tool if ordered separately.

BASES (ALUMINUM, STEEL & BRASS MAT'L)

| DETAIL | DESCRIPTION | GROTNES # | PRICE |
|--------|--|---------------|-----------|
| 1.1 | 6.5" - 8 LUG NON-SPARK BASE (BRASS) | CTDM001B0008F | \$ 550.00 |
| 1.2 | 8.5" - 12 LUG BASE (STEEL) | CTDM001S0512F | \$ 675.00 |
| 1.3 | 8.5" - 12 LUG NON-SPARK BASE (BRASS) | CTDM001B0512F | \$ 650.00 |
| 1.4 | 11.25" - 16LUG BASE (ALUMINUM) | CTDM001S1016F | \$ 550.00 |
| 1.5 | 11.25" - 16 LUG NON-SPARK BASE (BRASS) | CTDM001B1016F | \$ 675.00 |
| 1.6 | 11.25" - 16 LUG BASE (STEEL) | CTDM001A1016F | \$ 700.00 |
| 1.7 | 12.25" - 16 LUG BASE (STEEL) | CTDM001S1516F | \$ 715.00 |
| 1.8 | 13 15/16" - 10 LUG BASE (STEEL) | CTDM001S2010F | \$ 725.00 |
| 1.9 | 13 15/16" - 20 LUG BASE (STEEL) | CTDM001S2020F | \$ 750.00 |

SELECT CENTER POST BASED ON TOOL SIZE (DIA) & STYLE (MANUAL TOOL OR HEAD ONLY TOOL)

| DETAIL | DESCRIPTION | GROTNES # | PRICE |
|--------|--|---------------|-----------|
| 6.1 | MANUAL TOOL (BRASS OR ALUMINUM BASE) | CTDM006Z9999F | \$ 235.00 |
| 6.2 | MANUAL TOOL (STEEL BASE) | CTDM006S9999F | \$ 235.00 |
| 6.3 | 10 OR 20 LUG TOOL (STEEL BASE - MANUAL OR HEAD ONLY) | CTDM006S9920F | \$ 235.00 |
| 6.4 | HEAD ONLY TOOL (BRASS OR ALUMINUM BASE) | CTDH006Z9999F | \$ 235.00 |
| 6.5 | HEAD ONLY TOOL (STEEL BASE) | CTDH006S9999F | \$ 235.00 |

EXAMPLE OF THE POST "PEENED"
INTO THE BASE AT ASSEMBLY

