



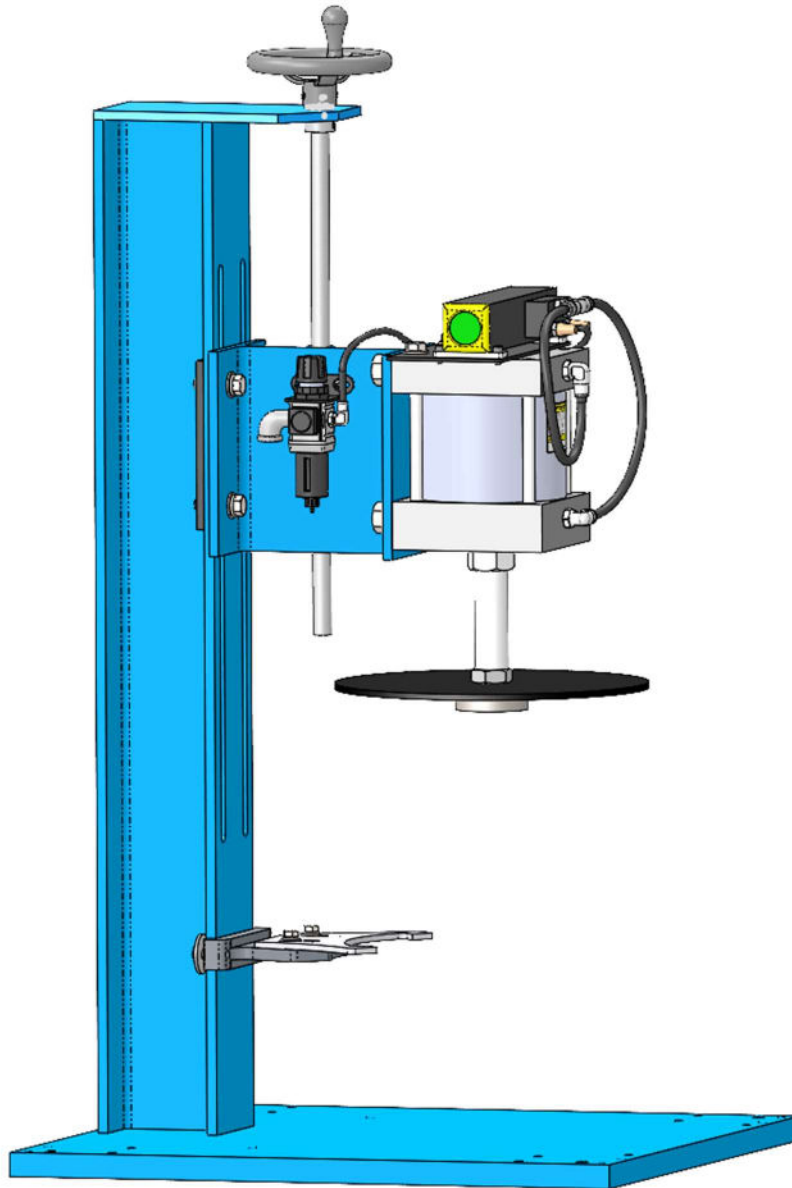
SEMI-AUTO PLASTIC PAIL CLOSER

FOR SEMI-AUTO CLOSING LIDS ONTO STEEL PAILS

GROTNES

CHECK OUR ONLINE STORE FOR PRODUCTS & SPARE PARTS: [HTTPS://SHOP.GROTNES.COM](https://shop.grotnes.com)

Spare Parts List / Item Pricing



CTSP – SEMI-AUTO PLASTIC PAIL CLOSER (BLACK OXIDE)

CTSPS – SEMI-AUTO PLASTIC PAIL CLOSER (STAINLESS STEEL)

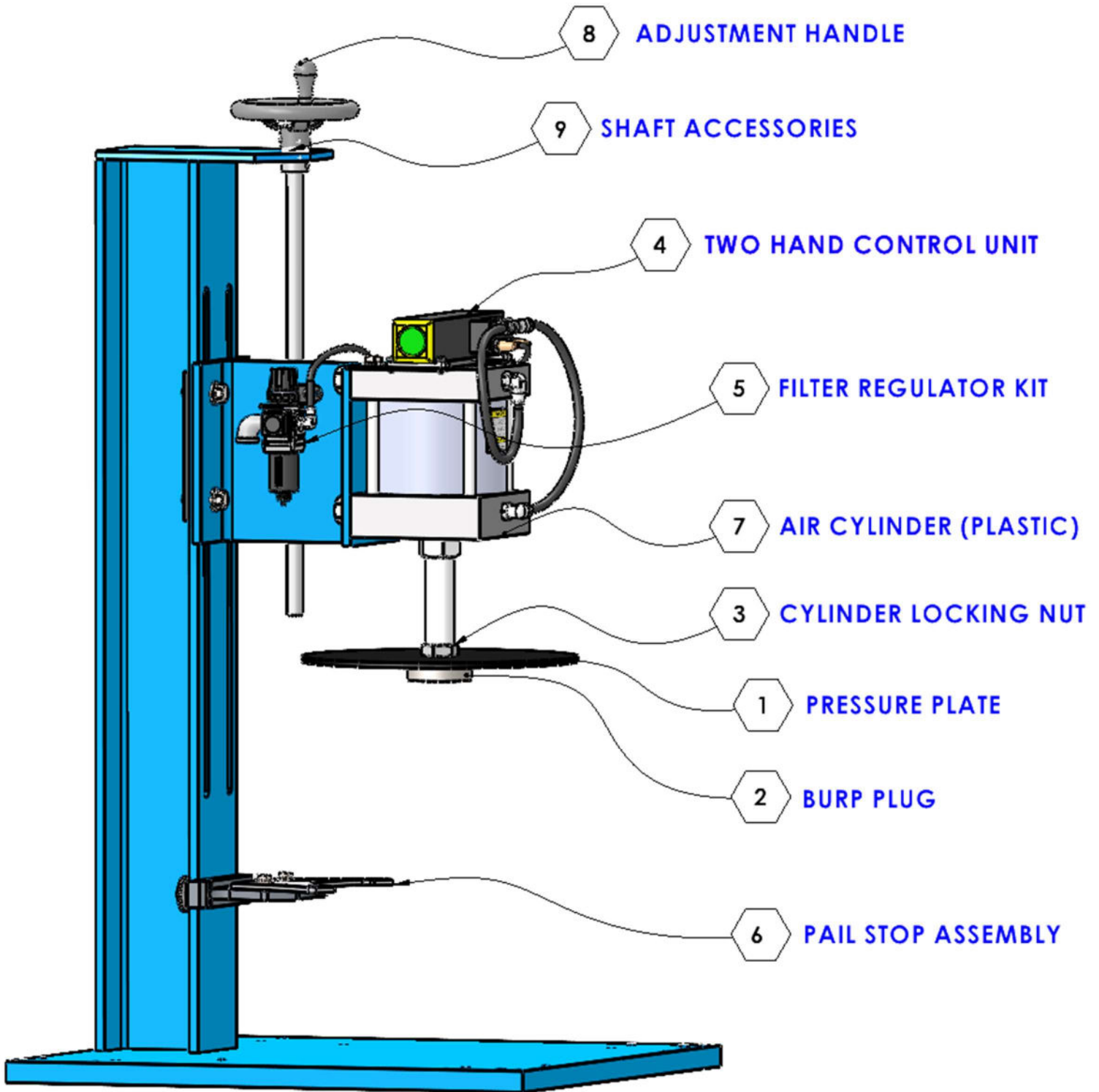


SEMI-AUTO PLASTIC PAIL CLOSER

FOR SEMI-AUTO CLOSING LIDS ONTO STEEL PAILS

CHECK OUR ONLINE STORE FOR PRODUCTS & SPARE PARTS: [HTTPS://SHOP.GROTNES.COM](https://shop.grotnes.com)

GROTNES





SEMI-AUTO PLASTIC PAIL CLOSER

FOR SEMI-AUTO CLOSING LIDS ONTO PLASTIC PAILS

GROTNES

CHECK OUR ONLINE STORE FOR PRODUCTS & SPARE PARTS: [HTTPS://SHOP.GROTNES.COM](https://shop.grotnes.com)

SEMI-AUTO TOOL	Weight	Grotnes Item #	Unit Price (Each)
SEMI-AUTO PLASTIC PAIL CLOSER	390 lbs.	CTSP	\$ 4,500.00
SEMI-AUTO PLASTIC PAIL CLOSER with (STAINLESS STEEL TOOLING)	393 lbs.	CTSPS	\$ 4,750.00

Options:

CASTER SET (SWIVEL & BRAKE)	13 lbs.	CTK001	\$ 450.00
5 FT GRAVITY CONVEYOR	137 lbs.	900898_CT	\$ 1,175.00

When ordering please provide the following:

- Pail size & gauge of lid.
- Reference Serial # of the existing tool, or the tool being replaced.
- Samples (Preferred for new customers and/or when you have changed to a new style lid/pail.)

Notes

- All orders are subject to a \$150 crating fee (\$500 for exports requiring special heat-treated lumber).
- All export orders are subject to a \$95 fee for export documentation (per order).
- All prices are F.O.B.
- Standard Terms are Net 30 from shipment
- Standard shipping is R&L and will be added to the invoice unless customer provides shipping method.
 - When providing your own shipping method, please note carrier and account # on the PO.



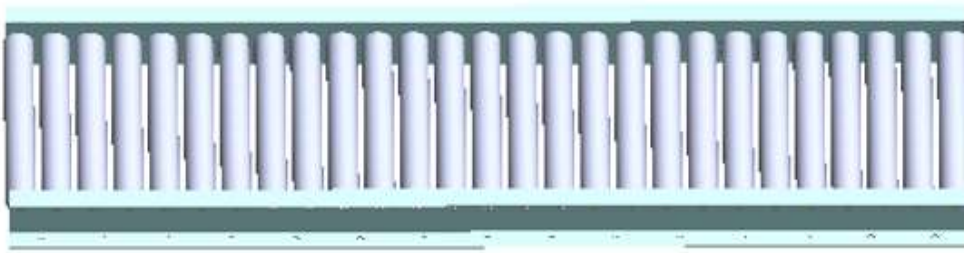
ITEMIZED PARTS PRICE LIST

FOR SEMI-AUTO PLASTIC PAIL CLOSERS

CHECK OUR ONLINE STORE FOR PRODUCTS & SPARE PARTS: [HTTPS://SHOP.GROTNES.COM](https://shop.grotnes.com)

Item #	Description	Part #	Unit Price
1	PRESSURE PLATE	CTTP010	\$245.00
1-SS	PRESSURE PLATE - STAINLESS STEEL	CTTP010S	\$345.00
2	BURP PLUG	CTTP020	\$145.00
2-SS	BUR PLUG - STAINLESS STEEL	CTTP020S	\$245.00
3	CYLINDER LOCKING NUT	903265_CT	\$9.00
4	TWO HAND CONTROL	901151_CT	\$1,135.00
5	FILTER REGULATOR KIT (FILTER & MOUNTING BRACKET)	CTK006	\$325.00
6	PAIL STOP ASSEMBLY	CTK004	\$235.00
7	AIR CYLINDER – PLASTIC PAIL CLOSER	901535_CT	\$1,195.00
8	ADJUSTMENT HANDLE ASSEMBLY (LUG STYLE)	CTASP003	\$150.00
9	ROD ACCESSORIES (THRUST WASHER, BEARING, & COLLAR)	CTK014	\$40.00
OPTION #1	5 FT GRAVITY CONVEYOR	900898_CT	\$1,175.00
OPTION #2	CASTER KIT	CTK001	\$450.00

Add on Option #1



Add on Option #2

